

**WATERPROOF TYPE
PALM-SIZED INFRARED THERMOMETER
MODEL IR-TE**



***Washable!!!
Non-contact temperature measurement
in one second!!!***

Model IR-TE palm-sized infrared thermometer is designed to measure the surface temperature of objects without making contact with them. The built-in laser sighting pinpoints the center of the area being measured on the target.



■ FEATURES

- Conforms to IP67 (dustproof and waterproof) and washable.
- ABS resin housing with sanitary specification – fits in your safety program.
- Shockproof construction
- Auto power-off function for saving battery life
- Wide temperature range of -40 to 300°C (-40 to 572°F) - °C/°F selectable
- Palm sized and lightweight – easy to use in your hand and easy to carry or store away
- Traceability certificate available upon request (sold separately)



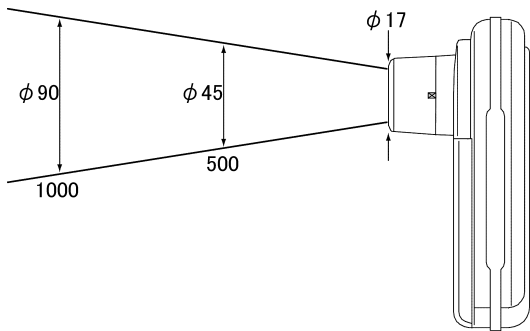
Actual size

■ **SPECIFICATIONS**

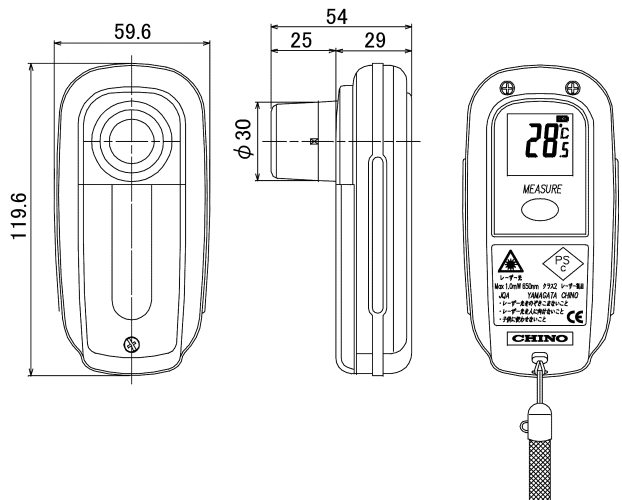
Temperature range: -40 to 300°C / -40 to 572°F selectable
 Accuracy rating: $\pm 1\% \pm 1$ digit or $\pm 2^\circ\text{C}$ ($\pm 4^\circ\text{F}$) ± 1 digit, whichever is larger
 ---- For 0 to 300°C (32 to 572°F)
 $\pm 3^\circ\text{C}$ ($\pm 6^\circ\text{F}$) ---- for -30 to 0°C (-22 to 32°F)
 $\pm 5^\circ\text{C}$ ($\pm 10^\circ\text{F}$) ---- for less than -30°C (-22°F)
 At ambient temperature of $25 \pm 2^\circ\text{C}$ ($77 \pm 4^\circ\text{F}$) and $\varepsilon=1.0$
 Repeatability: Within 1°C (2°F) ± 1 digit
 Response time: 1 second (90% response)
 Targeting: Center of measuring spot is marked by laser beam.
 (Laser: 650nm, less than 1mW, JIS class 2)
 Display: Reflection type LCD, 3 digits
 Display resolution: 0.5°C (1°F) for -20 to 100°C (-4 to 212°F)
 1°C (2°F) ---- except the above range
 Auto power off: After 30 seconds when no key is operated
 Emissivity: 0.95 (default)
 0.8 to 1.0 adjustable by internal switch (0.05 increments)
 Working temperature: 0 to 50°C (32 to 122°F)
 Working humidity: 90%RH or less (no dew condensation)
 Storage temperature: -20 to 55°C (-4 to 131°F) (no dew condensation)
 For long time storage, removing of batteries is required.
 Battery: Alkaline AAA, 2 pieces
 Battery life: About 10 hours continuous operation
 Casing: ABS resin (anti-bacteria)
 Weight: 123g (including batteries)

Standards: CE (EN61326-1 Annex C – Portable instrument)
 Sealing: IP67 (waterproof and dustproof)

■ **DISTANCE AND DIAMETER**



■ **DIMENSIONS**



Unit: mm

Specifications subject to change without notice. Printed in Japan (I) 2002.1

CHINO CORPORATION
 32-8, KUMANO-CHO, ITABASHI-KU, TOKYO 173-8632
 PHONE: +81-3-3956-2171
 FAX: +81-3-3956-0915
 E-mail: inter@chino.co.jp
 Website: http://www.chino.co.jp